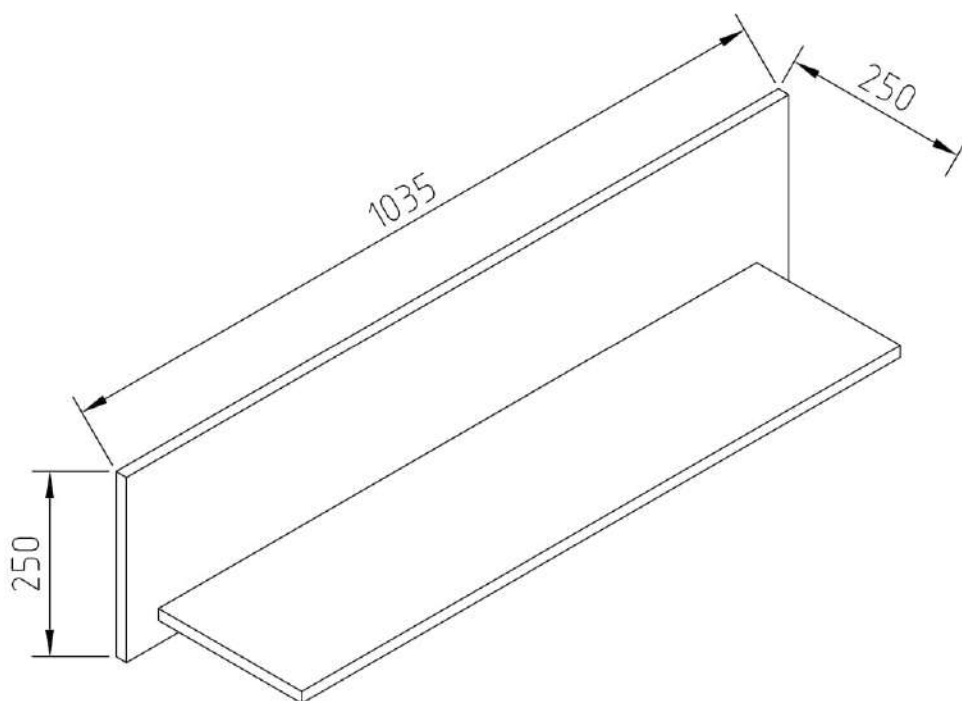
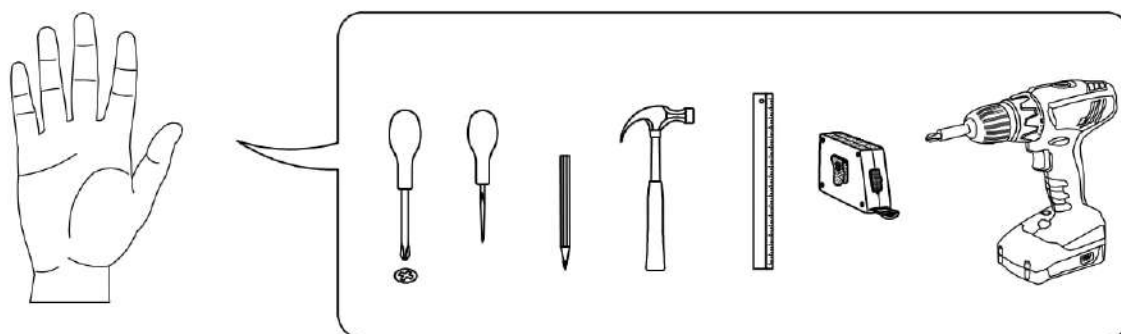




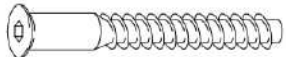


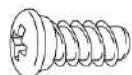






# **VALERIO**

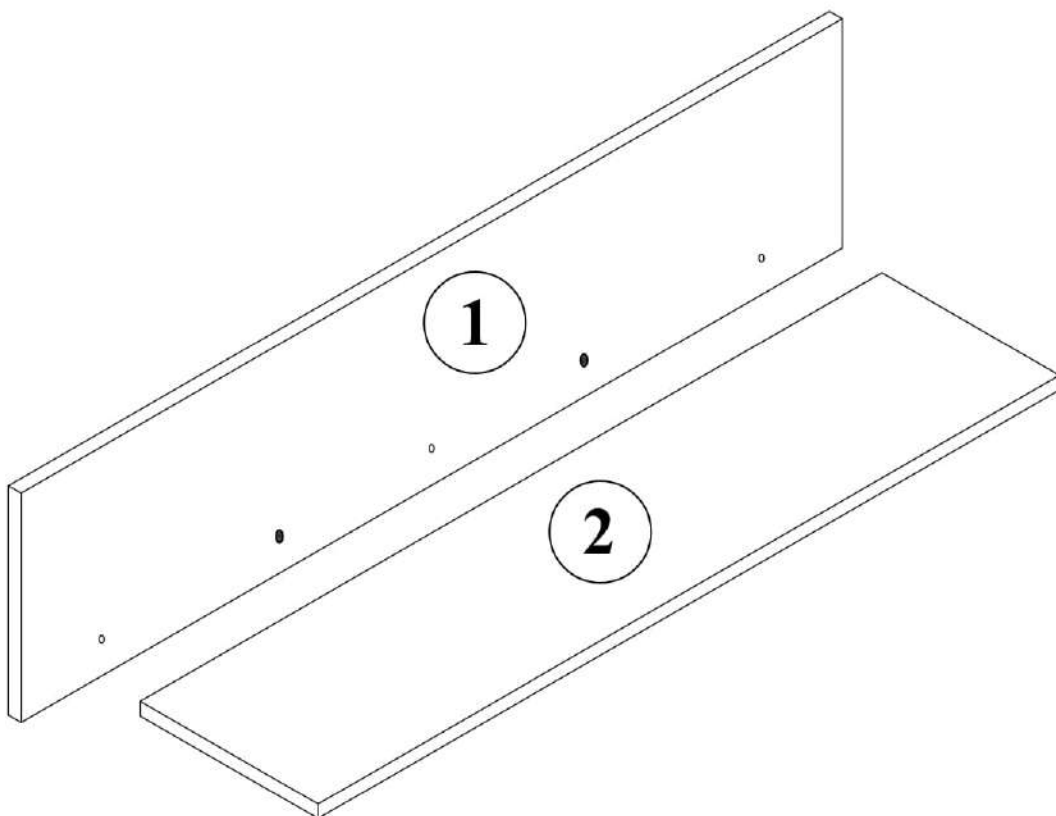
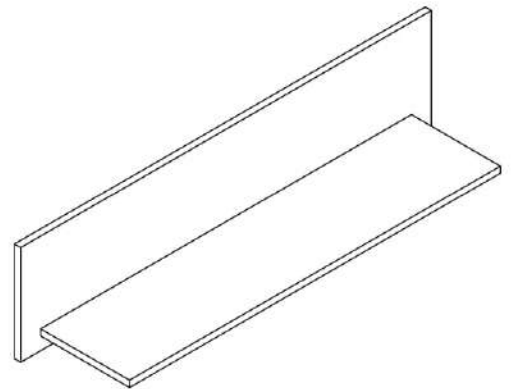
## **SHELF 100**









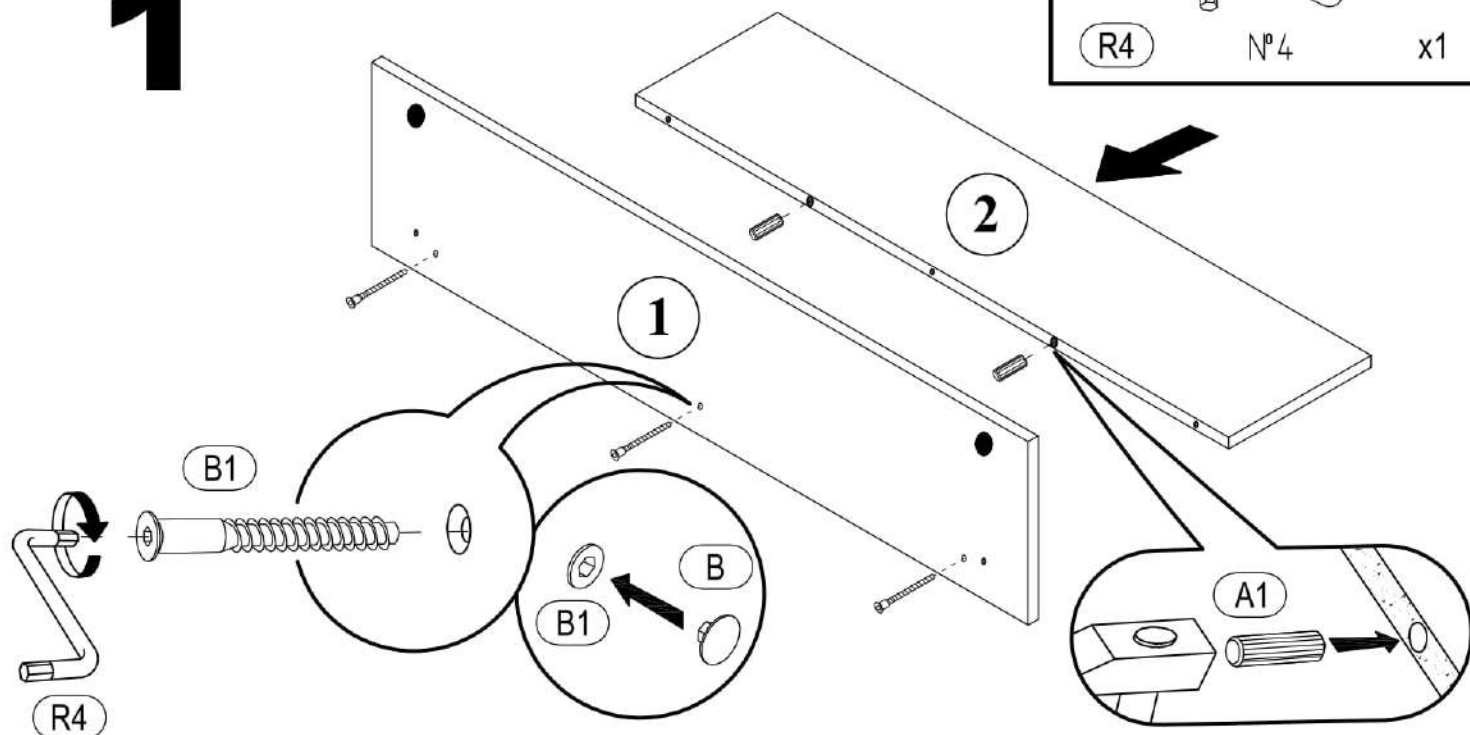
 <b>A1</b> 8*30mm x2	 <b>B</b> x3	 <b>B1</b> 6,3*50mm x3
 <b>Ea4</b> 4,2*65mm x2	 <b>F1</b> 5,0*9mm x4	 <b>F4</b> 6,3*13mm x2
 <b>H5</b> 8*50mm x2	 <b>H14</b> x2	 <b>R4</b> N°4 x1

No	a*b	x	N°→...
1	1035x250	x1	1/1
2	935x224	x1	1/1
		x1	1/1



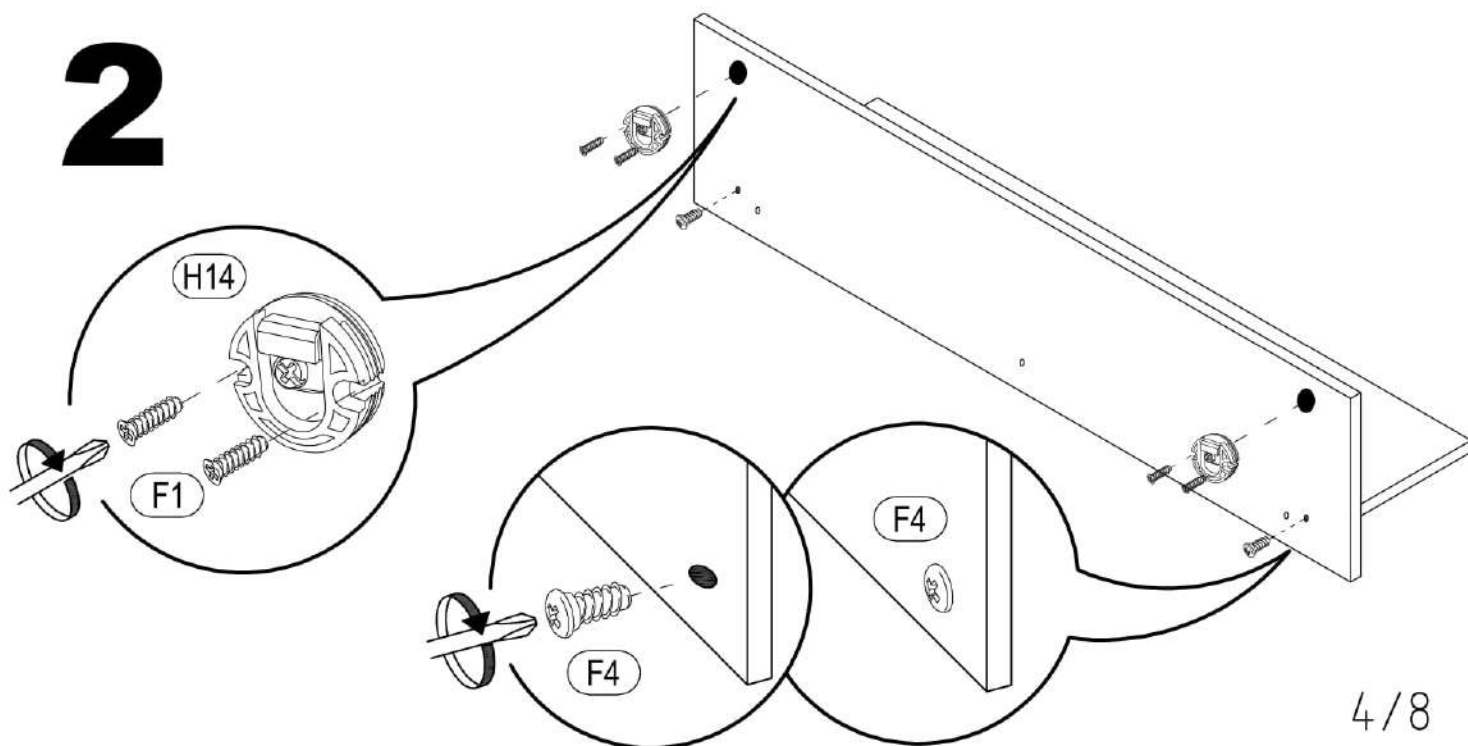
 <b>A1</b> 8*30mm x2	 <b>B</b> x3	 <b>B1</b> 6,3*50mm x3
		 <b>R4</b> N°4 x1

# 1

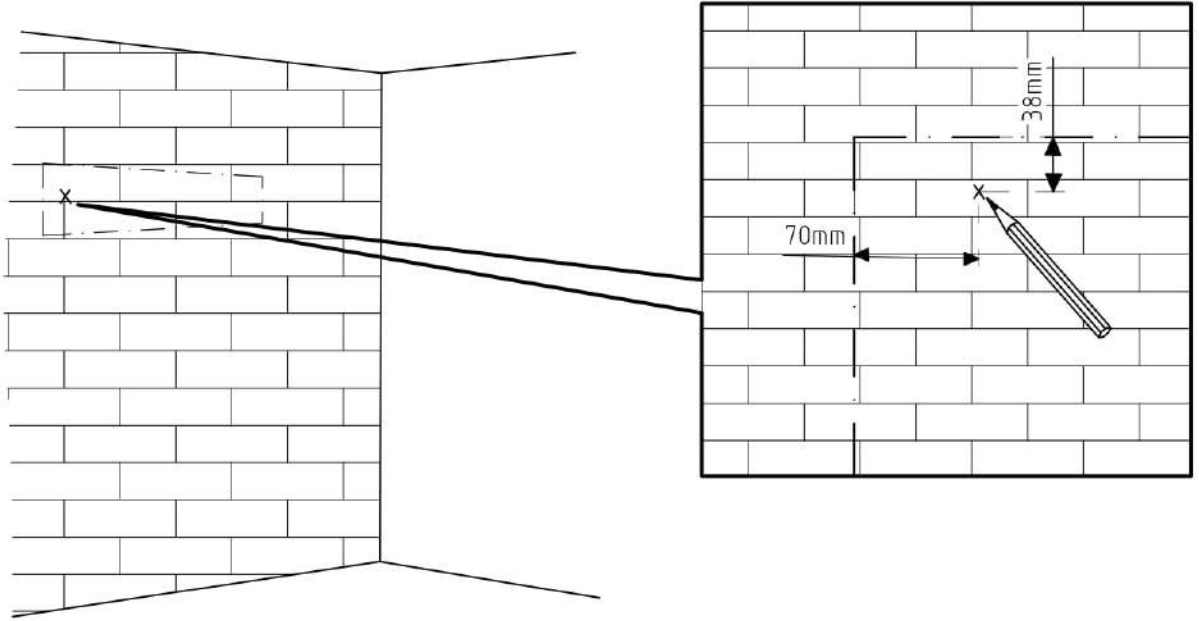


 <b>F1</b> 5,0*9mm x4	 <b>F4</b> 6,3*13mm x2	 <b>H14</b> x2
---	--	--

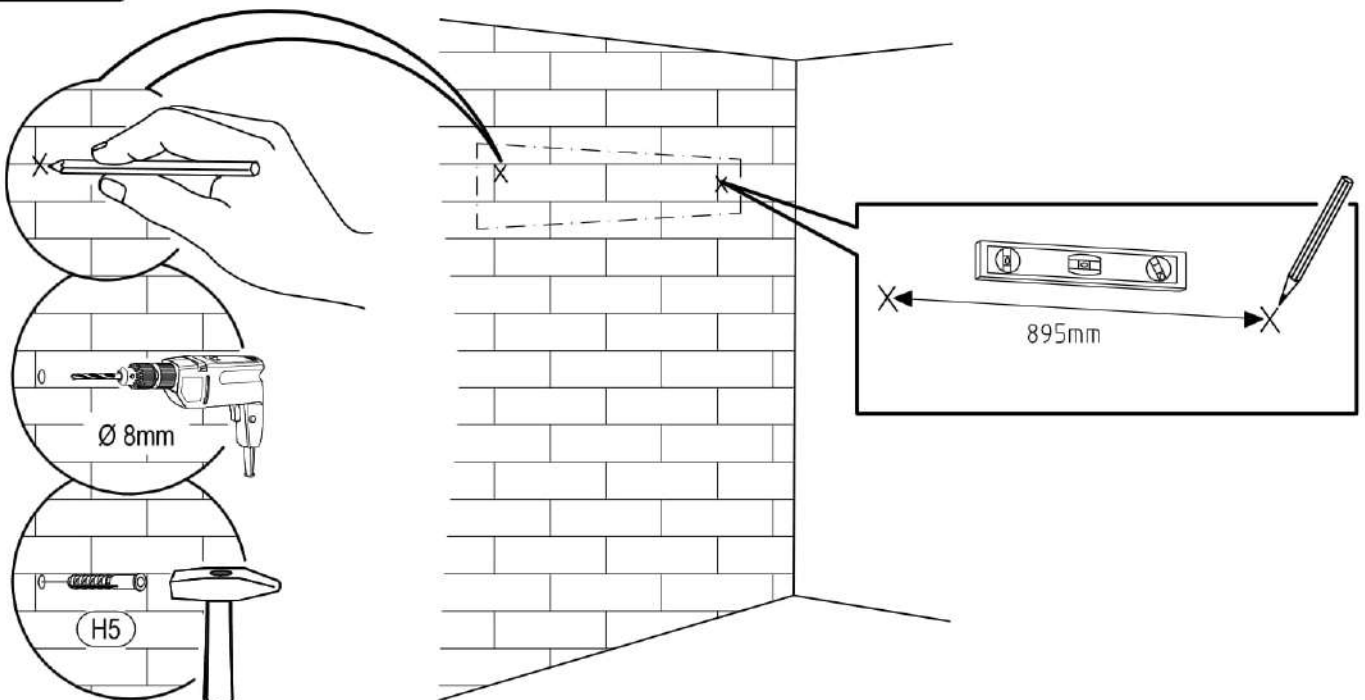
# 2



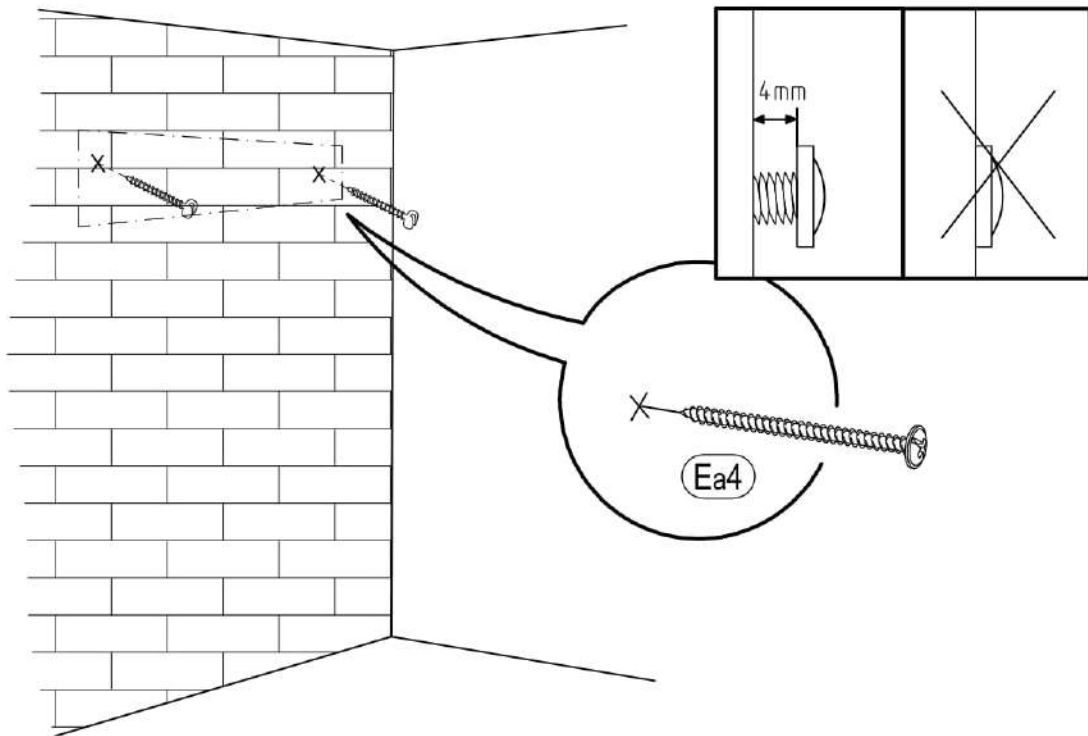
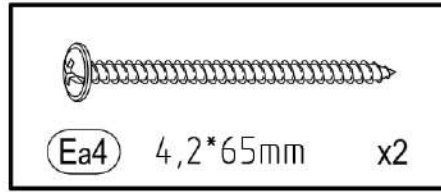
**3**



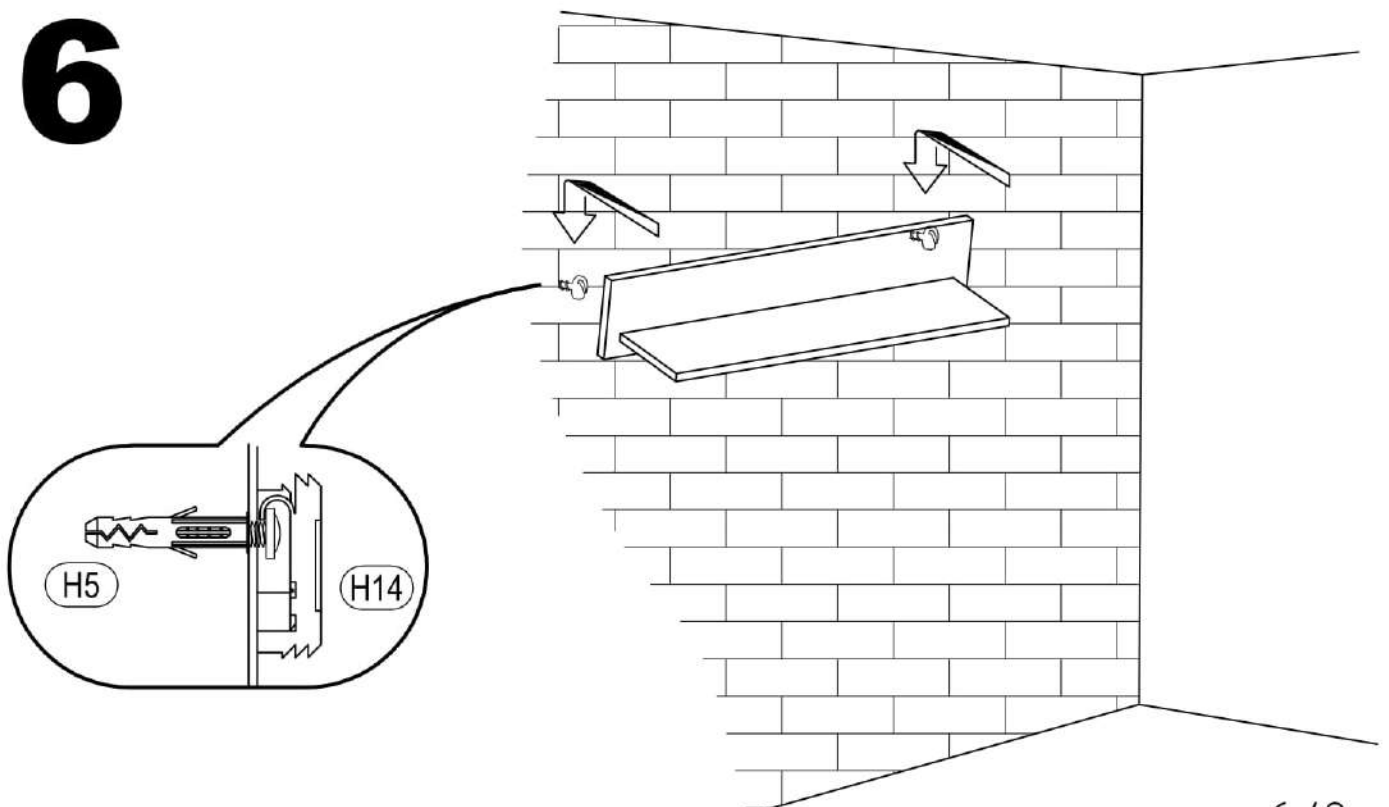
**4**



**5**



**6**



**VALERIO**  
**SHELF 100**

